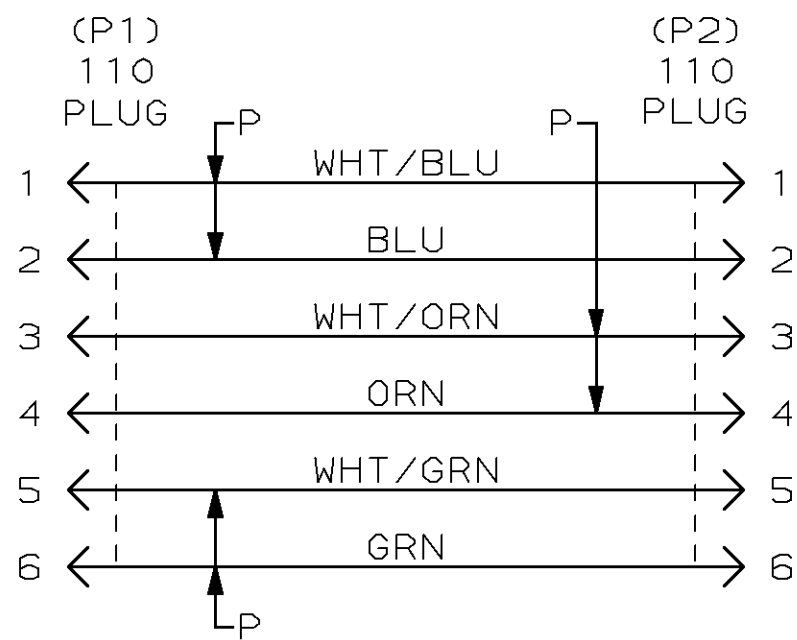
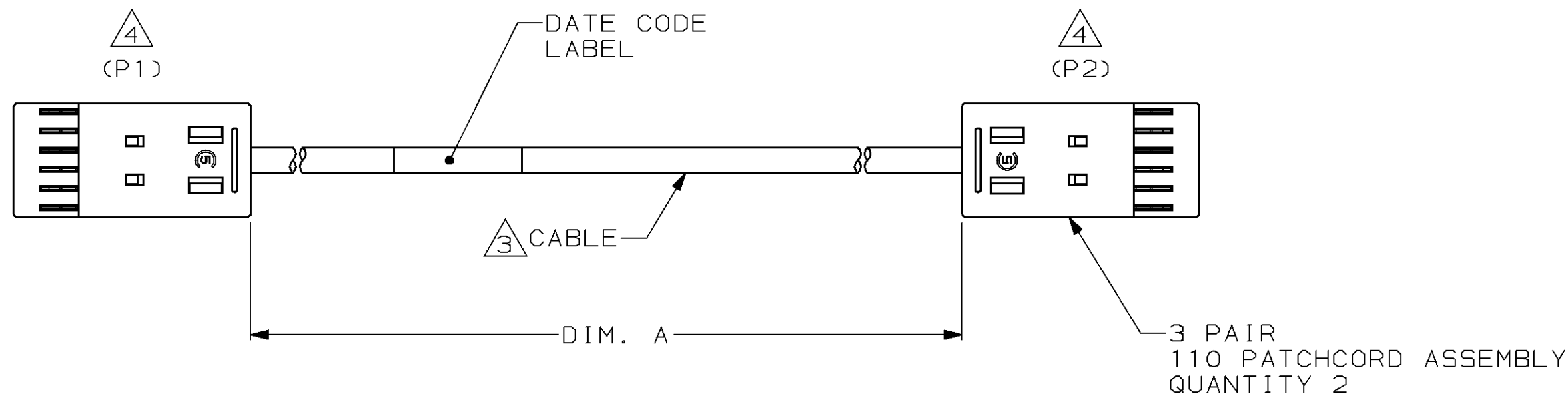


THIS DRAWING IS UNPUBLISHED. RELEASED FOR PUBLICATION
 BY AMP INCORPORATED. ALL RIGHTS RESERVED.

LOC	DIST	REVISIONS			
P	LTR	DESCRIPTION	DATE	DWN	APVD
AA	28	0	RLSD; NPR C96-40	06MAR96	DLD NJ

- ONE CABLE PACKAGED IN A CLEAR POLY BAG.
- DIMENSIONS ARE MAXIMUM UNLESS OTHERWISE SPECIFIED.
- CABLE: UNSHIELDED 24 AWG, 3 TWISTED PAIRS, 7/32 STRANDED CONDUCTORS, 100 OHMS, CATEGORY 5.
- DESIGNATIONS IN PARENTHESES () ARE FOR REFERENCE ONLY.



WIRING DIAGRAM

3.05	10	3149.6 [124.00]	1-569921-0
2.44	8	2489.2 [98.00]	569921-8
1.83	6	1879.6 [74.00]	569921-6
1.22	4	1270 [50.00]	569921-4
0.61	2	660.4 [26.00]	569921-2
METERS, REF	FEET, REF	DIM. A	PART NO.

DIMENSIONS:		TOLERANCES UNLESS OTHERWISE SPECIFIED:		MATERIAL	
mm	[INCHES]	PLC	FINISH	FINISH	
		0 PLC ±			
		1 PLC ±			
		2 PLC ±			
		3 PLC ±			
		4 PLC ±			
		ANGLES ±			

THIS DRAWING IS A CONTROLLED DOCUMENT FOR AMP INCORPORATED. IT IS SUBJECT TO CHANGE AND THE CONTROLLING ENGINEERING ORGANIZATION SHOULD BE CONTACTED FOR THE LATEST REVISION.		DWN DL DRUMMOND 06 MAR 96	AMP Incorporated Harrisburg, PA 17105-3608
		CHK N. JONES 02 APR 96	
		APVD B. ANTHONY 02 APR 96	
		NAME	
		PRODUCT SPEC	PATCHCORD ASSEMBLY, WITHOUT LOGO, 3 PAIR, 110/110
		APPLICATION SPEC	
		WEIGHT	SIZE A2
		CUSTOMER DRAWING	CAGE CODE 00779
			DRAWING NO C-569921
			SCALE 1:1
			SHEET 1 OF 1
			REV 0

569921

A